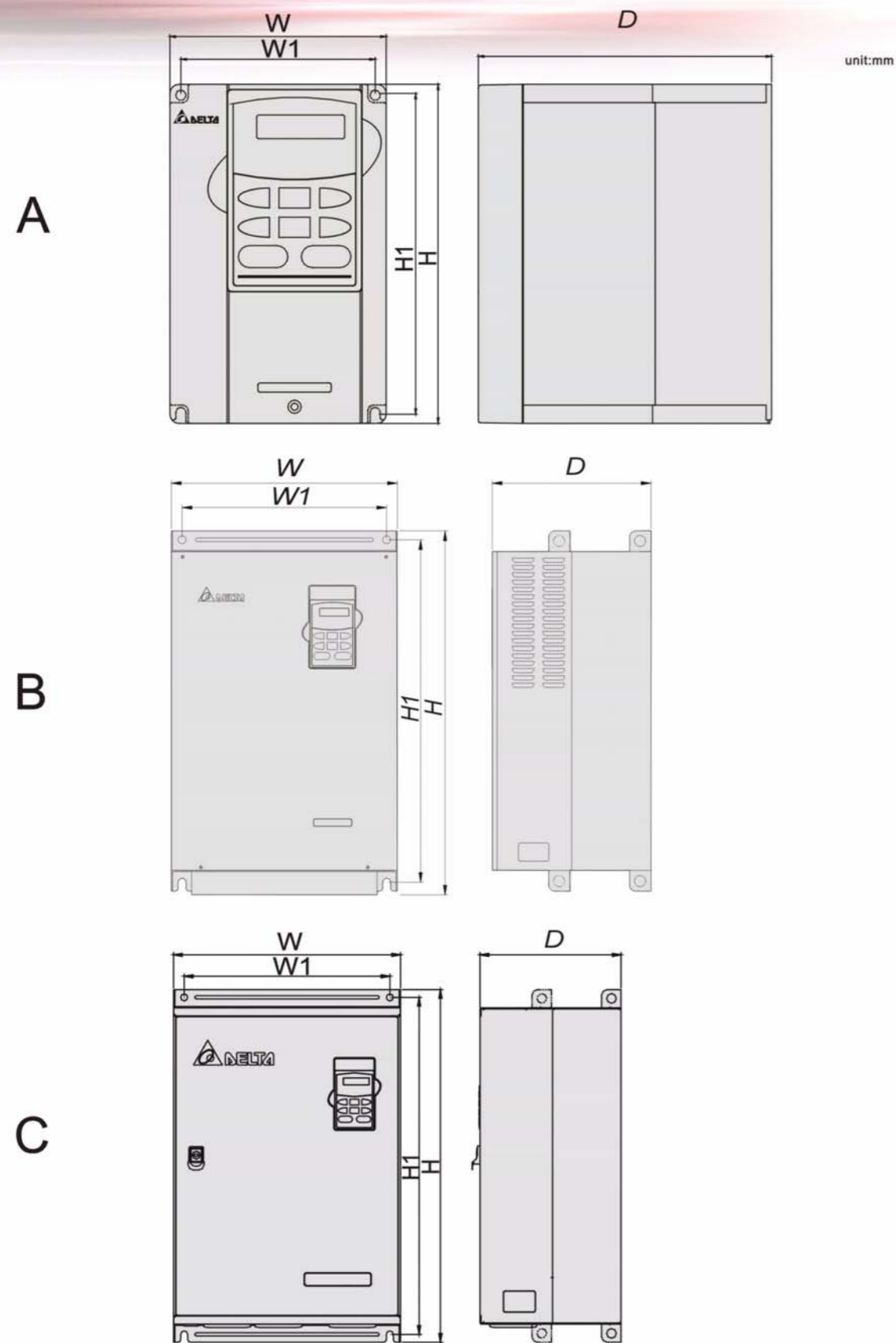


VFD-B

External Dimensions



VFD-B

External Dimensions

Dimensions

Model	W	W1	H	H1	D	Fan cooled	Fig
VFD007B21A	118(4.65)	108(4.25)	185(7.28)	173(6.81)	160(6.30)	NO	A
VFD007B23A	118(4.65)				145(5.71)	NO	
VFD007B43A	118(4.65)				145(5.71)	NO	
VFD007B53A	118(4.65)				145(5.71)	NO	
VFD015B21A	118(4.65)	108(4.25)	185(7.28)	173(6.81)	160(6.30)	NO	A
VFD015B21B	118(4.65)				145(5.71)	Yes	
VFD015B23A	118(4.65)				160(6.30)	NO	
VFD015B23B	118(4.65)				145(5.71)	Yes	
VFD015B43A	118(4.65)				160(6.30)	NO	A
VFD015B53A	118(4.65)				160(6.30)	NO	
VFD022B21A	150(5.91)	135(5.32)	260(10.24)	244.3(9.68)	160.2(6.31)	Yes	
VFD022B23B	118(4.65)	108(4.25)	185(7.28)	173(6.81)	145(5.71)	Yes	
VFD022B43A	118(4.65)	108(4.25)	185(7.28)	173(6.81)	145(5.71)	Yes	A
VFD022B43B	118(4.65)	108(4.25)	185(7.28)	173(6.81)	145(5.71)	Yes	
VFD037B23A	150(5.91)	135(5.32)	260(10.24)	244.3(9.68)	160.2(6.31)	Yes	
VFD037B43A						Yes	
VFD037B53A						Yes	A
VFD055B23A	200(7.88)	185.6(7.31)	323(12.72)	303(11.93)	183.2(7.22)	Yes	
VFD055B43A						Yes	
VFD055B533						Yes	
VFD075B23A	200(7.88)	185.6(7.31)	323(12.72)	303(11.93)	183.2(7.22)	Yes	A
VFD075B43A						Yes	
VFD075B53A						Yes	
VFD110B23A	200(7.88)	185.6(7.31)	323(12.72)	303(11.93)	183.2(7.22)	Yes	
VFD110B43A						Yes	A
VFD110B53A						Yes	
VFD150B23A	250(9.84)	226(8.90)	430.8(15.90)	384(15.12)	205.4(8.08)	Yes	
VFD150B43A						Yes	
VFD150B53A						Yes	A
VFD185B23A	250(9.84)	226(8.90)	430.8(15.90)	384(15.12)	205.4(8.08)	Yes	
VFD185B43A						Yes	
VFD185B53A						Yes	
VFD220B23A	250(9.84)	226(8.90)	430.8(15.90)	384(15.12)	205.4(8.08)	Yes	A
VFD220B43A						Yes	
VFD220B53A						Yes	
VFD300B23A	370(14.57)	335(13.19)	595(23.43)	560(22.55)	260(10.24)	Yes	
VFD300B43A	370(14.57)	335(13.19)	589(23.19)	560(22.55)	260(10.24)	Yes	B
VFD300B53A	370(14.57)	335(13.19)	589(23.19)	560(22.55)	260(10.24)	Yes	
VFD370B23A	370(14.57)	335(13.19)	595(23.43)	560(22.55)	260(10.24)	Yes	
VFD370B43A	370(14.57)	335(13.19)	589(23.19)	560(22.55)	260(10.24)	Yes	
VFD370B53A	370(14.57)	335(13.19)	589(23.19)	560(22.55)	260(10.24)	Yes	B
VFD450B43A	370(14.57)	335(13.19)	589(23.19)	560(22.55)	260(10.24)	Yes	
VFD450B53A						Yes	
VFD550B43A	425(16.73)	385(15.16)	660(25.98)	631(24.84)	280(11.02)	Yes	
VFD550B53A	370(14.57)	335(13.19)	595(23.43)	560(22.55)	260(10.24)	Yes	C
VFD750B43A	425(16.73)	385(15.16)	660(25.98)	631(24.84)	280(11.02)	Yes	
VFD750B53A	370(14.57)	335(13.19)	595(23.43)	560(22.55)	260(10.24)	Yes	

*We reserve the right of this catalogue contained information change without prior notice.



TermoProcesos e Instrumentación, S.A. de CV.

Filósofos 301-101A Col. Tecnológico

Monterrey, NL. México ventas@termoprocessos.com

www.termoprocessos.com tpi-systemx@intercable.net

52 (81) 83 59 61 30 - 52 (81) 83 59 62 29 - Fax 52 (81) 83 58 37 77



VFD

Delta VFD-B Series Variable Speed AC Motor Drives

Features:

- ▶ 16-bit microprocessor controlled PWM output
- ▶ Automatic torque boost & slip compensation
- ▶ Output frequency 0.1~400Hz
- ▶ 16-step speed control & 15-step preset speed
- ▶ PID feedback control & PG feedback control
- ▶ 4 accel./decel. times & 2 S-curve selections
- ▶ Pump control & automatic energy-saving
- ▶ Process follower - 10~10VDC, 0~10VDC, 4~20mA
- ▶ MODBUS communication RS-485 (Baud rate 38400)
- ▶ Coast or ramp to stop
- ▶ Adjustable V/F curve & automatic voltage regulation
- ▶ Automatic adjustment of accel./decel. time
- ▶ Auto tuning & sensorless vector control
- ▶ Sleep / Revival Function
- ▶ Master / Auxiliary and 1st/2nd frequency source selectable

Voltage Range:

- 1 Phase 230V Series : 0.75~2.2KW (1~3HP)
- 3 Phase 230V Series : 0.75~37KW (1~50HP)
- 3 Phase 460V Series : 0.75~75KW (1~100HP)
- 3 Phase 575V Series : 0.75~75KW (1~100HP)



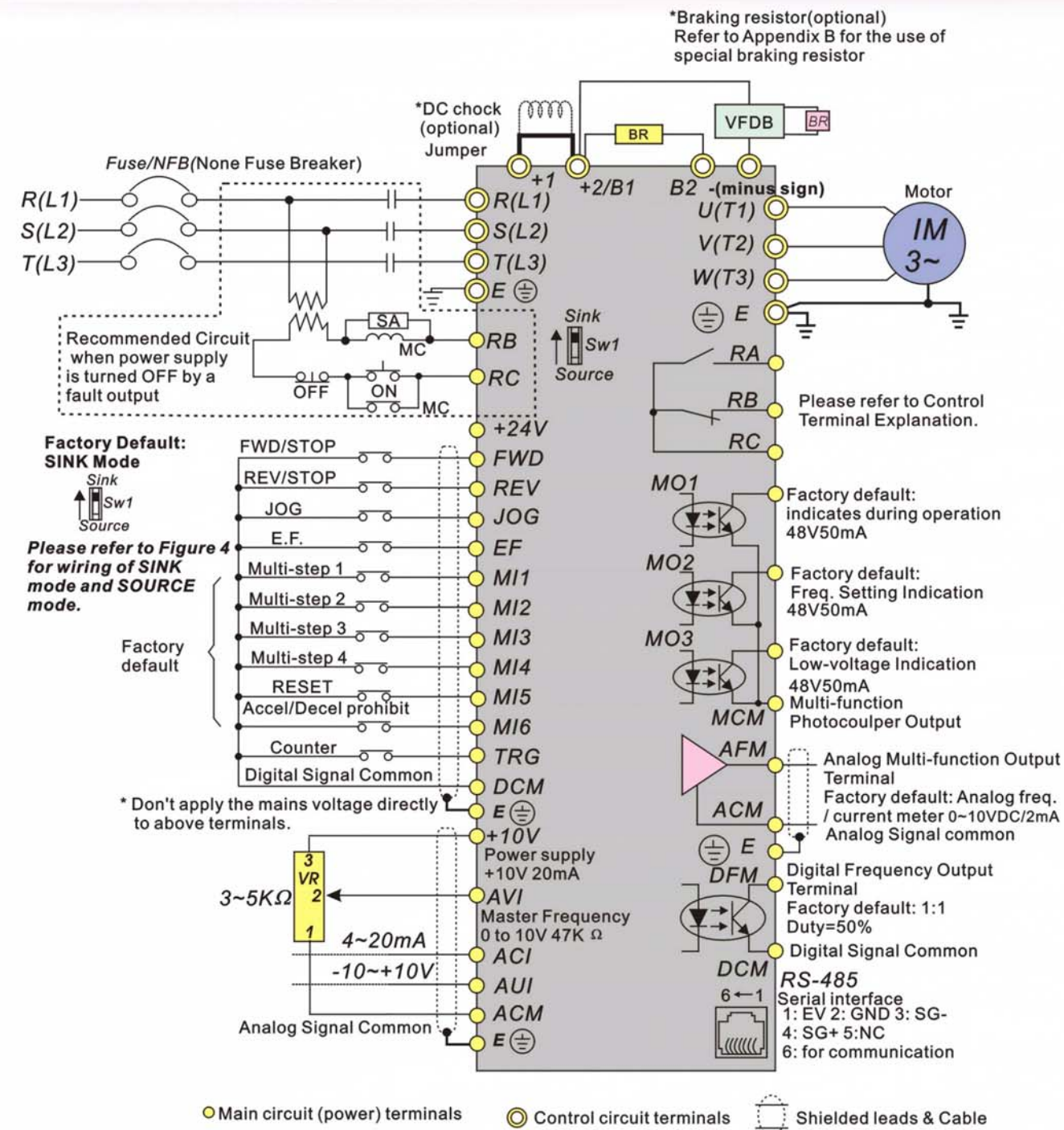
VFD-B series have been approved by CE and UL

WWW.TERMOPROCESOS.COM



VFD-B

Standard wiring diagram



* Three phase input power may apply to single phase drives

* For the single phase application, the AC input line can be connected to any two of the three input terminals R,S,T.

VFD-B

Standard specifications

230V Series 1-Phase/3-Phase

Model Number VFD - □ □ □ B	007	015	022	037	055	075	110	150	185	220	300	370
Max. Applicable Motor Output (kW)	0.75	1.5	2.2	3.7	5.5	7.5	11	15	18.5	22	30	37
Max. Applicable Motor Output (HP)	1.0	2.0	3.0	5.0	7.5	10	15	20	25	30	40	50
Rated Output Capacity (kVA)	1.9	2.5	4.2	6.5	9.5	12.5	18.3	24.7	28.6	34.3	45.7	55
Rated Output Current (A)	5.0	7.0	11	17	25	33	49	65	75	90	120	145
Maximum Output Voltage (V)	3-Phase Proportional to input voltage											
Output Frequency (Hz)	0.1~400Hz											
Carrier frequency (kHz)	1-15										1-9	
Rated Input Current (A)	Single/3-Phase			3-Phase								
	11.9/5.7	15.3/7.6	22/15.5	20.6	26	34	50	60	75	90	110	142
Single (3-phase Input Current)	7.0	9.4	14.0									
Rated Voltage , Frequency	Single/3-phase 200-240V , 50/60Hz			3-phase 200-240V , 50/60Hz								
Voltage Tolerance	±10%(180~264V)											
Frequency Tolerance	±5%(47~63Hz)											
Cooling Method	Natural						Fan Cooled					
Weight (Kg)	2.7	3.2	4.5	6.8	8	10	13	13	13	13	36	36

460V Series 3-Phase

Model Number VFD - □ □ □ B	007	015	022	037	055	075	110	150	185	220	300	370	450	550	750
Max. Applicable Motor Output (kW)	0.75	1.5	2.2	3.7	5.5	7.5	11	15	18.5	22	30	37	45	55	75
Max. Applicable Motor Output (HP)	1.0	2.0	3.0	5.0	7.5	10	15	20	25	30	40	50	60	75	100
Rated Output Capacity (kVA)	2.3	3.2	4.2	6.5	9.9	13.7	18.3	24.4	28.9	34.3	45.7	55.6	69.3	84	114
Rated Output Current (A)	2.7	4.2	5.5	8.5	13	18	24	32	38	45	60	73	91	110	150
Maximum Output Voltage (V)	3-Phase Proportional to input voltage														
Output Frequency (Hz)	0.1~400Hz														
Carrier frequency (kHz)	1-15										1-9		1-6		
Rated Input Current (A)	3-Phase														
	3.2	4.3	5.9	11.2	14	19	25	32	39	49	60	63	90	130	160
Rated Voltage , Frequency	3-phase 380-480V , 50/60Hz														
Voltage Tolerance	±10%(342~528V)														
Frequency Tolerance	±5%(47~63Hz)														
Cooling Method	Natural							Fan Cooled							
Weight (Kg)	2.7	3.2	4.5	2.7	3.2	4.5	6.8	8	10	13	13	13	13	36	36

575V Series 3-Phase

Model Number VFD - □ □ □ B	007	015	022	037	055	075	110	150	185	220	300	370	450	550	750
Max. Applicable Motor Output (kW)	0.75	1.5	2.2	3.7	5.5	7.5	11	15	18.5	22	30	37	45	55	75
Max. Applicable Motor Output (HP)	1.0	2.0	3.0	5.0	7.5	10	15	20	25	30	40	50	60	75	100
Rated Output Capacity (kVA)	1.7	3.5	4.5	7.5	10	13.4	18.9	21.9	26.9	33.9	40.8	51.8	61.7	79.7	99.6
Rated Output Current (A)	1.7	3.5	4.5	7.5	10	13.5	19	22	27	34	41	52	62	80	100
Maximum Output Voltage (V)	3-Phase Proportional to input voltage														
Output Frequency (Hz)	0.1~400Hz														
Carrier frequency (kHz)	1-10										1-8		1-6		
Rated Input Current (A)	3-Phase														
	2.0	3.6	4.9	9.9	10.8	14.3	19.8	22	27.7	37	41	52	62	95	117
Rated Voltage , Frequency	3-phase 500-600V , 50/60Hz														
Voltage Tolerance	-15%+10% (425~660V)														
Frequency Tolerance	±5%(47~63Hz)														
Cooling Method	Natural							Fan Cooled							
Weight (Kg)	2.7	3.2	4.5	6.8	8	10	13	13	13	13	36	36	36	50	50

Control Characteristics		Control System	SPWM (Sinusoidal Pulse Width Modulation) control (V/F or sensorless vector control)
		Freq. Setting Resolution	0.01Hz
		Output Frequency Resolution	0.01Hz
		Torque Characteristics	Including the auto-torque, auto-slip compensation; starting torque can be 150% at 1.0Hz
		Overload Endurance	150% of rated current for 1 minute
		Skip Frequency	Three zones, settings range 0.1-400Hz
		Accel/Decel Time	0.1 to 3600 seconds (4 independent settings for Accel/Decel Time)
		Stall Prevention Level	20%-250%, Setting of Rated Current
		Frequency Setting	Operation frequency 0-400Hz, output 0-100% rated current Start time 0-60 seconds, stop time 0-60 seconds
		DC Injection Braking	Approx. 20% (up to 125% possible with option braking resistor or braking unit externally mounted, 1-15HP braking transistor built-in)
		Braking Torque	Approx. 20% (up to 125% possible with option braking resistor or braking unit externally mounted, 1-15HP braking transistor built-in)
		V/F Pattern	Adjustable V/F pattern
		Frequency Setting	Keypad: Set by ▲ ▼ External Signal: Potentiometer-5KΩ/0.5W, 0 to +10VDC; -10 to +10VDC, 4 to 20mA, RS-485 interface; Multi-Function Inputs 1 to 6 (15 steps, Jog, up/down)
		Operation Setting	Keypad: Set by RUN, STOP and JOG External Signal: 2 wires / 3 wires (Fwd, Rev, EF), JOG operation, RS-485 serial interface (MODBUS)
		Multi-Function Input Signal	Multi-step selection 0 to 15, Jog, accel/decel inhibit, first to forth accel/decel switches, counter, PLC operation, external Base Block (NC, NO), auxiliary motor control is invalid, ACI/AVI selections, drive reset, UP/DOWN key settings, sink/source selection
		Multi-Function Output Indication	AC Drive Operating, Frequency Attained, Non-zero, Base Block, Fault Indication, Local/Remote indication, PLC Operation indication, Auxiliary Motor Output, Driver is Ready, Overheat, Alarm, Emergency Stop
		Analog Output Signal	Analog frequency/current signal output.
		Alarm Output Contact	1Form C contact or open collector output.
		Operation Functions	AVR, S-Curve, Over-Voltage, Over-Current Stall Prevention, Fault Records, Adjustable Carrier Frequency, DC Braking, Momentary Power Loss restart, Auto Tuning, Frequency Limits, Parameter Lock/Reset, Vector Control, Counter, PID Control, Fan & Pump Control, PLC, MODBUS Communication, Reverse Inhibition, PG feedback control, abnormal reset, abnormal re-start, digital frequency output, sleep/revival function, master/auxiliary frequency, 1st/2nd frequency source selections
		Protective Functions	Self-testing, Over Voltage, Over Current, Under Voltage, Overload, Overheating, External Fault, Electronic thermal, Ground Fault.
		Display Keypads	8-key, 5-digit, 7-segment LED, 8 status LEDs, master frequency, output frequency, Output current, custom units, parameter values for setup, review and faults, RUN, STOP, RESET, FWD/REV, JOG
Environmental Conditions		Protection Level	IP20 ; NEMA1
		Pollution Degree	2
		Installation Location	Altitude 1,000m or less, keep from corrosive gas, liquid and dust
		Ambient Temperature	-10°C to 40°C (-10°C to 50°C without blind plate) Non-Condensing and not frozen
		Storage / Transportation Temperature	-20°C to 60°C
		Ambient Humidity	Below 90% RH (non-condensing)
		Vibration	9.80665m/s ² (1G) less than 20Hz, 5.88m/s ² (0.6G) at 20 to 50Hz
Approvals			